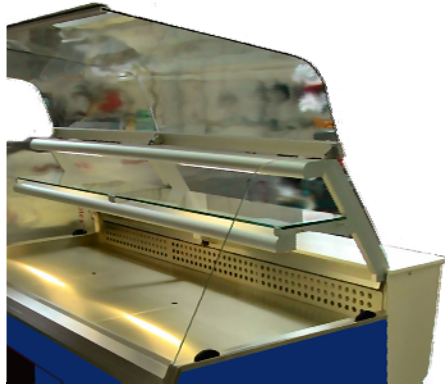


# Glendon



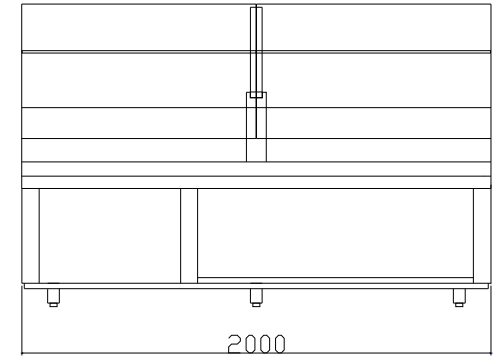
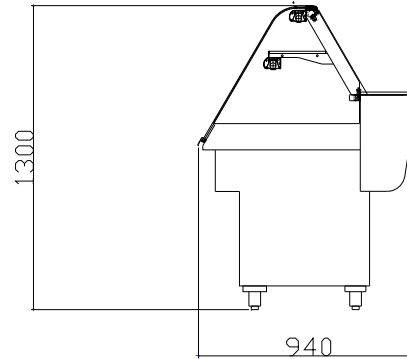
Patisserie Display Counters



Gas struts on glass allow easy loading and cleaning of deck.

Powerful fan air flow ensures perfect temperature control throughout.

Available in 2000, 1500, 1200 lengths (mm)



Choice of finish for free standing application.

Can be supplied with integral compressor or remote condensing unit

Corian or Granite option to rear shelf

Glendon Products Ltd.  
Unit 5 St. James Road  
Corby  
Northants NN18 8AL  
Tel: +44 (0)1536403010  
Fax: +44 (0)1536266629  
[www.glendonproducts.com](http://www.glendonproducts.com)

Our policy is that of continuous improvement and as such we reserve the right to change this specification without notice.